



**Ductile Iron Metal seated Wedge Gate Valve to
BS5163 - 2004. 350 to 600mm Size
Wras Approved Epoxy Coated**

Flanges to BS EN 1092-2 table 9 PN16 BS4504 PN16

Use:

Potable, Waste Water & Sewage

Tests:

Seat: 1.1 x PN

Body: 1.5 x PN

Temperature range: -10°C to 70°C
(Insulate at 0°C and below)

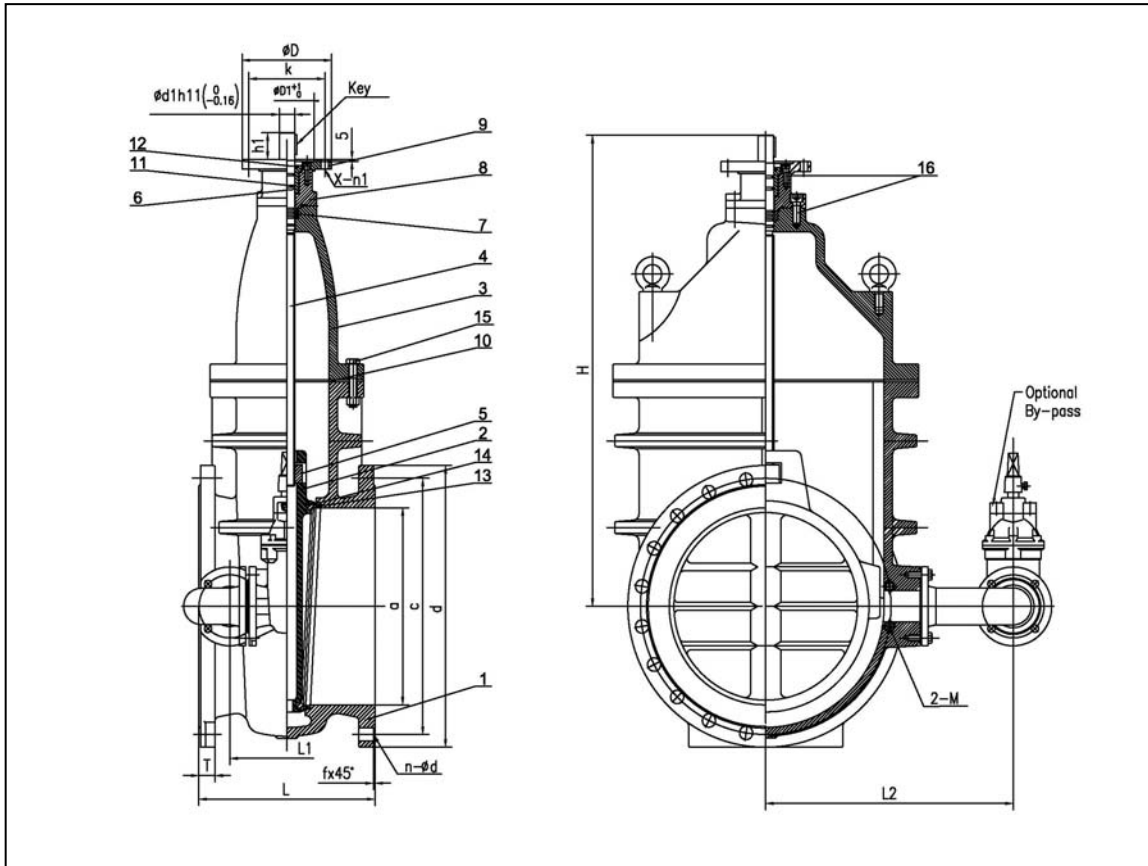
Accessories:

Stem Cap Flanged by pass
Handwheel Extension spindle
Bevel Gearing Electric Actuation
Spur Gearing Anti Clockwise Closure

Materials:

1 Body	Ductile iron	BSEN-500-7
2 Wedge	Ductile iron	BSEN-500-7
3 Bonnet	Ductile iron	BSEN-500-7
4 Stem	Stainless steel	431S29
5 Stem nut	Bronze	BS EN 1982 CC491K
6 Holding ring	Brass	ZHMN58-C
7 Sealing ring	Brass	ZHMN58-C
8 Gland	Ductile iron	BS EN-500-7
9 Mount Flange	Ductile iron	BS EN-500-7
10 Bonnet gasket	EPDM	Commercial
11 O ring	EPDM	Commercial
12 Dust ring	EPDM	Commercial
13 Body seat ring	Bronze	BS EN 1982 CC491K
14 Wedge seat ring	Bronze	BS EN 1982 CC491K
15 Bonnet bolts/nuts	Stainless steel	Gr 304
16 Cap screws	Stainless steel	Gr 304

Metal seated Wedge Gate Valve to BS5163 – 350 to 600mm – PN16



size	Approx kgs	Dimensions mm							Optional By-pass details			Flange drill details
		a	c	d	T	f	L	H	dia	L1	L2	n-d / 2-M
350	355	350	470	520	26.5	4	381	845	50	244	500	14-28Ø / 2-M24
400	485	400	525	580	28	4	406	1020	50	268	535	14-31Ø / 2-M27
450	540	450	585	640	30	4	432	1150	80	271	595	18-31Ø / 2-M27
500	630	500	650	715	31.5	4	457	1220	80	295	642	18-34Ø / 2-M30
600	945	600	770	840	36	5	508	1370	80	345	690	18-37Ø / 2-M33

Gate Valves should be installed in the vertical position as shown on the drawing above and are designed as pipeline isolation valves, they are not recommended as suitable for throttling duties

Manual Operation			Operator - Actuator							
			ISO Flange Details							
Size	H/wheel	Turns	ISO	ØD	k	D1	x-n	d1	h1	key
350	500 Ø	32	F16	210	165	130	4 - Ø23	40	65	12 x 8
400	560 Ø	36.5								
450	560 Ø	40.5	F16	210	165	130	4 - Ø23	40	65	12 x 8
500	650 Ø	45	F26	300	254	200	8 - Ø19	40	65	12 x 8
600	650 Ø	53								

Hydraulic test: Seat 1.1 x PN. Body 1.5 x PN

Temperature range: -10°C to 70°C (insulate at 0°C and below)